

RT3219C

Undercounter Kitchen

Features

- Material/Gauge: 304-18/8 stainless steel, 18 gauge
- Undermount Installation (Clips included)
- Drain location: Center
- Finish: Satin

- Handmade sink- Single big bowl 15mm Radius
- Rounded Bowl
- Rubber sound pads on sink bottom for noise-reducing

- Limited lifetime warranty



--- Dimensions ---	
Outer:	32" x 19"x10"
Inner:	30" x 17"x10"

Model	Description	Finish
RT3219C	Undercounter Sink	Satin

Included Components

- Cut-out template

Finish

- Satin

Optional Accessories

- Standard Strainer
- Sink Grid

Codes / Standards Applicable

Specified model meets or exceeds the following:

- UPC Certified
- CSA Certified

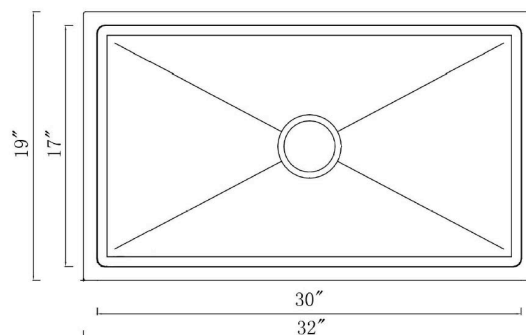


Product Specification

This sink shall be a Handmade sink- Single big bowl with rounded bowl. It shall be 32" in length and 19" in width, with a bowl depth of 10". Sink shall be made of 304 Grade Stainless Steel. Sink shall include cut-out template. Sink shall be Model RT3219C.

TECHNICAL INFORMATION

Fixture*	
Basin Area	30" x 17"
Water Depth	10"
Drain opening	3-1/2" (114mm)
*Approximate measurements for comparison only.	

**Product Image****Top View****Product Diagram**