

## T502A

### Features

- Material/Gauge: 304-18/8 stainless steel, 18 gauge
- Undermount Installation (Clips included)
- Drain location: Center
- Finish: Satin
- Rounded Bowl
- Rubber sound pads on sink bottom for noise-reducing
- Limited lifetime warranty
- Pressed sink- Double bowl 50/50

### Undercounter Kitchen



--- Dimensions ---	
Outer:	32-1/2" x 18-1/8" x 9"
Inner:	16-1/8" x 14-5/8" x 9"

Model	Description	Surface
T502A	Undercounter Sink	Satin

### Included Components

- Fastener, Screws and Cut-out template

### Colors / Finishes

- N/A None Applicable

### Optional Accessories

- Standard Strainer
- Sink Grid

### Codes / Standards Applicable

Specified model meets or exceeds the following:

- CUPC Certified
- CSA Certified



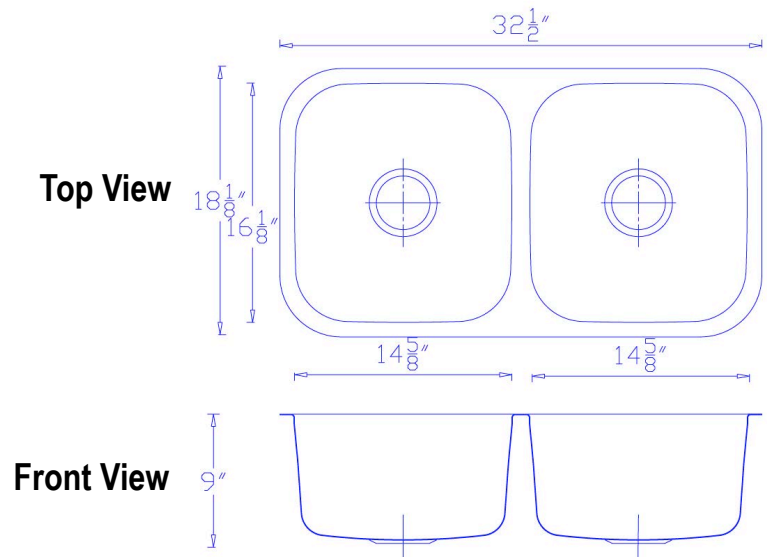
### Specification

This sink shall be a dual compartment with rounded bowls.. It shall be 32-1/2" in length and 18-1/8" in width, with a bowl depth of 9". Sink shall be made of 304 Grade Stainless Steel. Sink shall include cut-out template. Sink shall be Model T502A.

**TECHNICAL INFORMATION**

Fixture*	
Overall Outer Area	32-1/2" x 18-1/8"
Left Bowl Basin Area	16-1/8" x 14-5/8"
Right Bowl Basin Area	16-1/8" x 14-5/8"
Left Bowl Water Depth	9"
Right Bowl Water Depth	9"
Drain Opening (Each Bowl)	3-1/2" (114mm)

\*Approximate measurements for comparison only.

**Product Image****T502A****Top View****Front View****Product Diagram**